

1911 TACTICAL



AAKCCB77 系列說明書 AAKCCB77 INSTRUCTION MANUAL

KWC KWIEN WELL TOY INDUSTRIAL CO., LTD
www.kwcgun.com

台南市仁德區義林路168巷89號
KIEN WELL TOY INDUSTRIAL CO., LTD
NO.89, LN. 168, YILIN RD., RENDE DIST.,
TAINAN CITY 71752, TAIWAN (R.O.C.)
TEL:06-2798175
sales@kwcgun.com
www.kwcgun.com



操作/OPERATION

操作說明

OPERATION

1. 取出彈匣
RELEASE MAGAZINE.



1. 取出彈匣
Press the button
2. 取出彈匣
Release the magazine

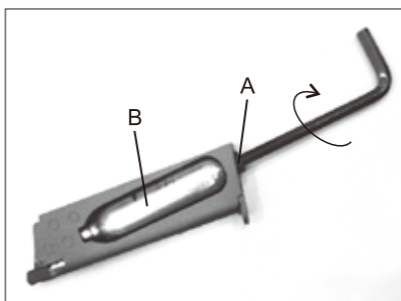
▲注意:請勿使彈匣直接掉落地面,以防止變形或損壞。

▲CAUTION: Magazine directly falling on ground could cause deform or damage on it. Please be aware.

2. CO2小鋼瓶12g的使用
INSTALLING 12G CO2 CARTRIDGE

逆時針轉出彈匣底內件後,置入小鋼瓶B,再以順時針方向鎖緊彈匣底內件A。當刺破鋼瓶出氣時,請快速鎖緊。

Turn the magazine cap out counter-clockwise and place CO2 cartridge B inside the magazine. Rapidly turn the screw A clockwise when piercing the cartridge in the magazine.



▲注意:為維護彈匣使用壽命,請盡可能不要殘留CO2氣體於彈匣內。

▲CAUTION: To protect your magazine, please release all of the CO2 out of the magazine after every use.

3. 填裝B.B彈
LOADING BBS

為了使擊發順暢,填裝方法是讓B.B彈在彈匣中一粒接著一粒。

For smooth shooting, Load BBs one by one.



▲注意:彈匣最多可裝14發B.B彈,如強行裝入更多,可能造成不當損壞及無法上膛,請注意。

▲CAUTION: Magazine max capacity is 14 rounds. Loading more than this quantity could bring malfunctions.

4. 彈匣上膛
INSERTING THE MAGAZINE

將裝好B.B彈的彈匣插入槍身上推入,直到彈匣卡榫發出"卡嗒"為止。

Insert fully loaded magazine in the airsoft until you hear the sound of "CLICK".

5. B.B彈上膛
CHAMBERING THE BB

將上蓋往後拉到底,放開上蓋則上蓋會自動回位,同時亦將B.B彈送上膛完成擊發準備。

Pulling the slide back. When the slide has been pulled completely back, release the slide without pushing and the BBs will be chambered.



▲注意:拉動上蓋時,請勿將手指扣住扳機,以免發生不當射擊,造成危險。

▲CAUTION: The gun is now cocked and will fire when the trigger is pulled. Be careful not to fire accidentally.

6. 保險切換
SWITCH SAFETY



可射擊
SAFETY OFF



保險
SAFETY ON



▲注意:上蓋滑動時,注意縫隙夾到手指。

▲CAUTION: This airsoft has a realistic blowback feature. Be careful of the pinch point.

7. 射擊
SHOOTING

對準目標區後扣下扳機,則B.B彈將被擊出去。

Aim the target and pull the trigger to shoot.



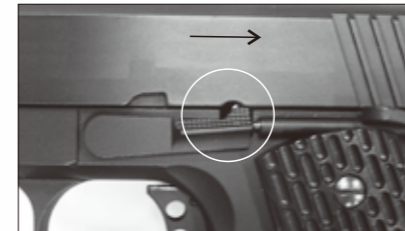
▲注意:B.B彈用完時,上蓋會後定卡住。

▲CAUTION: hold open function as real pistol.

拆解/DIS-ASSEMBLY

1. 按下卡榫,取出彈匣
Press the magazine catcher to release the magazine

2. 退上蓋至導管卡榫
Pull the Slide Stop until the slide stop lock the slide



3. 壓下槍身右面卡榫
Press the pin on the right side of frame.



4. 導管卡榫左面往上推,上蓋即可取出
Pull the Slide Stop from left side of pistol to take off the Slide.



5. HOP UP調整 adjust HOP UP system.



故障/BREAK DOWN

故障的原因與排除

BREAK DOWN FAQ

* 卡彈可能原因:

the reason for BB jam:

- a. 裝彈排列不整齊
the BB in the magazine does not arrange very well.
- b. 不良B.B彈
bad quality BB
- c. 空擊發易造成零件損耗,請避免此動作。
Please avoid dry firing, for it could cause parts deformed or damage.



* 排除:將上蓋往後拉,向下倒出即可。
Solution: pull the slide back and pour the BB out from slide.



* 射擊過程中偶而會發生,在作動時上蓋突然停止無法作動,而擊鐵回到原位,彈匣中仍有足夠瓦斯和B.B彈。
During the shooting process, sometimes the Slide and the Hammer stop unexpectedly.



* 排除:此時並非故障,只需重新上膛便可繼續使用。
Solution: This is not a failure. Just reload and operate again.

保養及維護

MAINTENANCE GUIDE

當射擊約2000發時,建議你如圖所示,以KWC出品之矽油脂適當在上蓋與本體滑動接觸面及擊鐵、撞針作動處潤滑,以利滑動。

We recommend you to use the KWC's lube oil to spray into the position as picture such as firing pin and track when you shoot the gun over 2,000 BB pellets.



WARNING 警告

請務必嚴格遵守 使用說明指導書 READ THIS OWNER'S MANUAL COMPLETELY.

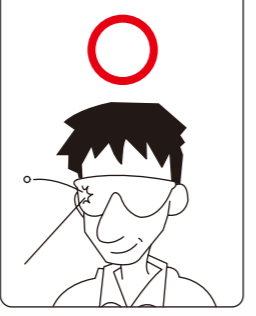
此低動能遊戲用槍是針對喜愛射擊運動的消費者所開發。避免因使用方法不正確或改造所發生的故障或事故，請務必詳讀說明書，正確的操作享受愉快的射擊運動。

- 除了發射時外，不要將手指頭掛在板機上。
- 選擇安全與適當標靶
- 在非使用期間，請保持保險關閉且退彈的狀態，就算在非使用狀態，也要如同其已裝彈。
- 如任何的機械產品，槍的保險也可能失效。即使在保險關閉的狀態下也請小心的操作此槍，請勿將槍口對人。
- 千萬不要對堅硬或平坦表面、水面射擊，以避免跳彈。
- 請妥善保管產品在未未成年孩童無法伸手取得的場所。
- 每次使用前後都應該檢查擋彈物，假如擋彈物表面有磨損失效或是反彈時請停止使用。
- 請使用高品質BB彈，請勿使用①口徑大於6mm②表面不平滑的③重複使用過的BB彈④非本說明書指名的發射物。
- 最高的使用及儲藏CO2小鋼瓶環境為50°C (122°F) 以內，高溫可能會造成CO2小鋼瓶過熱甚至爆炸。
- 檢查任何掉落之槍枝，以確保未影響其功能。

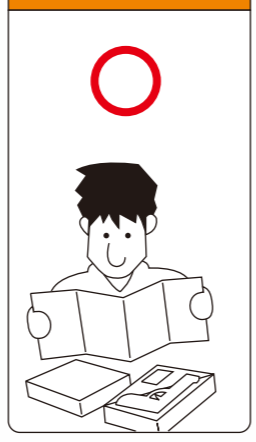
This airsoft is intended for recreational or training purposes. To prevent improper handling, modification or alteration causing malfunction or accident, please read the owner's manual carefully. Enjoy the pleasant shooting experience by proper operation.

- Do not put your finger on the trigger except shooting.
- Please choose safe and proper target.
- Please always keep the airsoft on safe and unloaded when not using.
- Like all mechanical devices, an airsoft safety can fail. Always handle the airsoft safely even when the safety is "on safe". Never point the airsoft at any people.
- Avoid ricochet. Never shoot at a hard or flat surface or at water.
- Keep the airsoft out of reach for small children.
- Your backstop should be inspected for wear before and after each use. Discontinue use of the backstop if surface shows signs of failure or ricochet.
- Only use high quality BB. Never use ①BB diameter larger than 6mm②BB with unsmoothed surface③reused BB that has been fired④incorrect projectiles not design for this airsoft
- Do not expose CO2 cartridges to heat or store them at temperatures above 50°C (122°F). CO2 cartridges may over heat or explode at temperatures above 50°C (122°F).
- Check any gun that has been dropped to ensure that its function has not been affected.

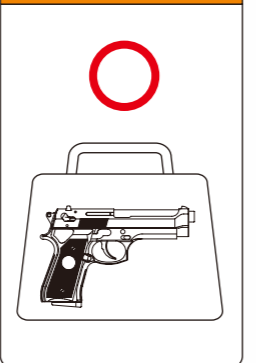
★使用低動能遊戲用槍前，請務必戴上保護眼鏡或面罩。
★Always wear eye protection when using airsoft.



★使用低動能遊戲用槍前，請務必詳讀說明書內容。
★Read the owner's manual before using the airsoft.



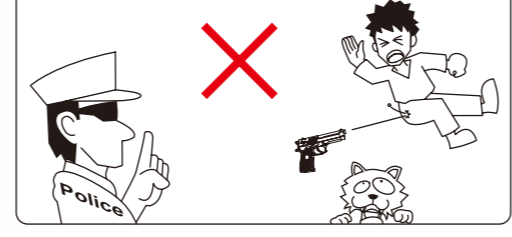
★不可攜帶低動能遊戲用槍在公共場所行走，請務必裝在袋子或盒子內。
★Always transport an airsoft in a locked carrying case. Make sure it is unloaded and on safe.



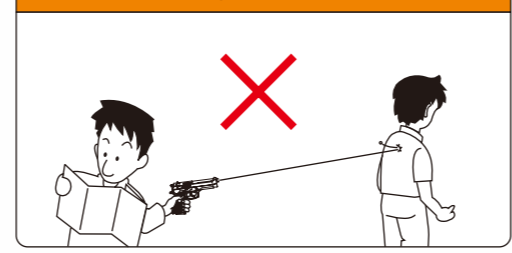
★請不要由槍口向內探視。
★To Avoid accidental discharge, do not look directly into the barrel.



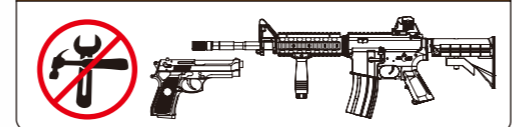
★請不要在公開場合使用低動能遊戲用槍，也請不要拿低動能遊戲用槍對準人或動物。
★Never brandish or aiming this airsoft at any people or domestic animals. Brandish this airsoft in public is dangerous and may be a crime.



★請確認後再發射BB彈方向，附近無人或動物存在。
★Always be aware of your surrounding before and during shooting and select a safe area for target practice.



★不可任意改造或加工低動能遊戲用槍，私自改造加工會造成產品損壞、保固失效，導致使用上不安全，甚至觸法送辦。
★Disassemble, modify, or alter of your airsoft may cause malfunction, void your warranty and may make it unsafe to use.

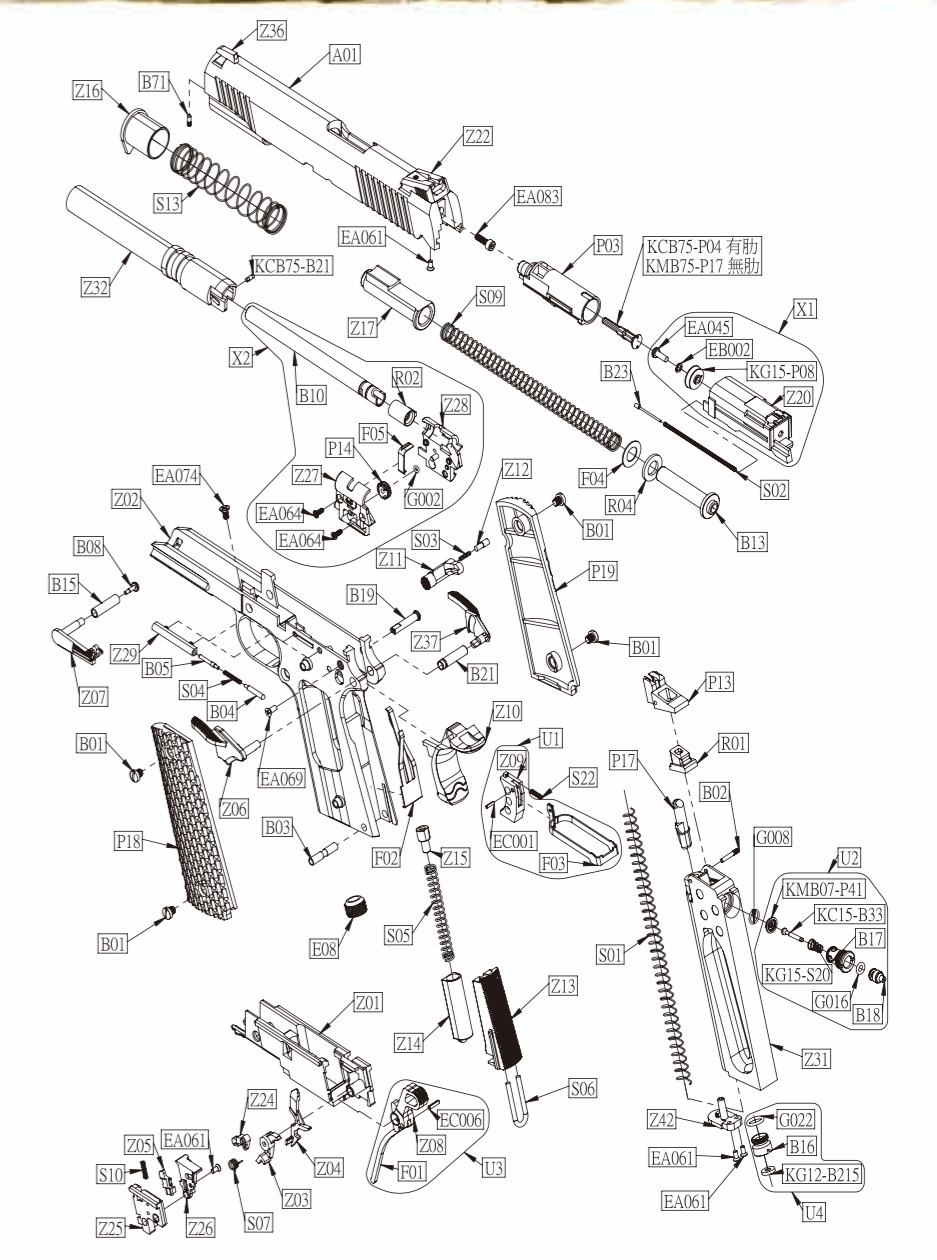


Do not display this pistol in public—it may confuse people and may be a crime. 請不要忘了，雖然自己知道這只是玩具，但不知道的人，會以為這是真槍。

KCB-77 系列 零件表 KCB-77 SERIES PARTS LIST

| 編號 | 零件名稱 | UNIT | 編號 | 零件名稱 | UNIT | 編號 | 零件名稱 | UNIT |
|-----------|------------|--------------------------|-----------|----------------|-------------------------------|-----------|-----------------|------------------------------|
| P03 | 滑套射嘴 | LOADING NOZZLE | Z29 | 保險卡榫導件 | SAFETY CATCH GUIDE | B23 | 射嘴壓簧導軸 | NOZZLE SPRING GUIDE PIN |
| KMB75-P17 | 氣流控制件(無肋) | FLOATING VALVE | Z32 | 槍管導管 | OUTER BARREL | KC15-B33 | 心棒 | VALVE |
| KG15-P08 | 氣缸迫緊 | CYLINDER PACKING | Z36 | 前準星 | FRONT SIGHT | B71 | 前準星軸 | FRONT SIGHT PIN |
| P13 | 彈匣上部 | MAGAZINE RIB | Z37 | 保險(右) | SAFETY (R) | KG12-B215 | 氣瓶頂針迫緊 | PUNCTURE VAVLE PACKING |
| P14 | HOP-UP可調旋鈕 | HOP-UP ADJUSTOR | Z42 | 彈匣底座配件 | MAGAZINE BASE ACCESSORY | | | |
| P17 | 彈匣滑粒 | MAGAZINE FOLLOWER | | | | S01 | 彈匣壓簧 | MAGAZINE SPRING |
| P18 | 槍柄(左) | GRIP (L) | R01 | 氣嘴迫緊 | GAS ROUTE PACKING | S02 | 射嘴回位壓簧 | LOADING NOZZLE RECOIL SPRING |
| P19 | 槍柄(右) | GRIP (R) | R02 | 子彈迫緊 | RUBBER CHAMBER | S03 | 彈匣卡榫壓簧 | MAGAZINE CATCH SPRING |
| KMB07-P41 | 心棒迫緊 | VALVE PACKING | R04 | 導管壓簧緩衝件 | OUTER BARREL SPRING BUFFER | S04 | 止動片軸壓簧 | SLIDE STOPPER PIN SPRING |
| A01 | 上蓋 | SLIDE | G002 | O型環 1X2id(NBR) | O-RING 1X2id (NBR) | S05 | 擊鐵壓簧 | HAMMER SPRING |
| | | | G008 | O形環 1X6 | O-RING 1X6 | S06 | 握柄扣環 | GRIP BUCKLE |
| Z01 | 擊鐵箱 | CHASSIS | G016 | O形環 PU S-4(黃) | O-RING PU S-4 | S07 | 撞針扭簧 | FIRING PIN SPRING |
| Z02 | 本體 | FRAME | G022 | O形環 S-8 | O-RING S-8 | S09 | 回位壓簧 | RECOIL SPRING |
| Z03 | 擊鐵卡榫 | HAMMER CATCH | | | | S10 | 撞針卡榫壓簧 | FIRING PIN CATCH SPRING |
| Z04 | 擊鐵卡榫釋放件 | HAMMER CATCH RELEASE | F01 | 擊鐵壓簧導桿 | HAMMER SPRING GUIDE | S13 | 導管壓簧 | RECOIL SPRING |
| Z05 | 撞針卡榫 | FIRING PIN CATCH | F02 | 扳機回位彈片 | TRIGGER RECOVER SPRING | KG15-S20 | 心棒壓簧 | VALVE SPRING |
| Z06 | 保險(左) | SAFETY(L) | F03 | 扳機框 | TRIGGER FRAME | S22 | 扳機壓簧 | TRIGGER SPRING |
| Z07 | 上蓋止動片 | SLIDE STOPPER | F04 | 槍管導管壓簧配件 | OUTER BARREL SPRING ACCESSORY | EA045 | ΦM3.0X8 鍍鎳/鍍落處理 | SCREW M3.0X8 |
| Z08 | 擊鐵 | HAMMER | F05 | 子彈迫緊調整片 | HOP-UP ADJUST PLATE | EA061 | Φ皿 2.3X5束黑熱 | SCREW 2.3X5 |
| Z09 | 扳機 | TRIGGER | | | | EA064 | Φ皿 2.3X6束黑熱 | SCREW 2.3X6 |
| Z10 | 握柄保險 | GRIP SAFETY | B01 | 槍柄螺絲 | GRIP SCREW | EA069 | Φ皿 M2.6X6 黑 | SCREW M2.6X6 |
| Z11 | 彈匣卡榫 | MAGAZINE CATCH | B02 | 彈匣上部軸 | MAGAZINE RIB PIN | EA074 | Φ皿 M3X6 黑 | SCREW M3X6 |
| Z12 | 彈匣卡榫配件 | MAGAZINE CATCH ACCESSORY | B03 | 槍柄後罩軸 | GRIP REAR COVER PIN | EA083 | 內六角 M3X10 黑 | SOCKET SCREW M3X10 |
| Z13 | 槍柄後罩 | GRIP REAR COVER | B04 | 保險定位軸 | SAFETY FLOCATOR PIN | EB002 | 彈簧墊圈 | SPRING WASHER |
| Z14 | 擊鐵壓簧套 | HAMMER SPRING SLEEVE | B05 | 上蓋止動片軸 | SLIDE STOPPER PIN | EC001 | 彈簧銷 1.5*6L 鍍黑 | SPRING PIN 1.5*6L |
| Z15 | 擊鐵壓簧配件 | HAMMER SPRING ACCESSORY | B08 | 上蓋止動片定位軸 | SLIDE STOPPER LOCATOR PIN | EC006 | 彈簧銷 2.0X8L 鍍黑 | SPRING PIN 2.0X8L |
| Z16 | 上蓋前罩 | SLIDE FRONT BUSHING | B10 | 內槍管 | INNER BARREL | E08 | 內六角止付螺絲 | MAGAZINE BOTTOM CAP |
| Z17 | 固定套 | PLUG | B13 | 回位導桿後部 | RECOIL GUIDE REAR | | | |
| Z20 | 氣缸 | CYLINDER | B15 | 上蓋止動片軸套 | SLIDE STOPPER PIN SLEEVE | X1 | 氣缸組件 | CYLINDER UNIT |
| Z22 | 後準星 | REAR SIGHT | B16 | 氣瓶頂針 | PUNCTURE VAVLE | X2 | 內槍管組件 | INNER BARREL UNIT |
| Z24 | 撞針 | FIRING PIN | B17 | 氣閥本體 | VALVE FRAME | | | |
| Z25 | 擊鐵箱左蓋 | CHASSIS-LEFT | B18 | 心棒後部 | VALVE REAR | U1 | 扳機連桿組件 | TRIGGER BAR UNIT |
| Z26 | 擊鐵箱中蓋 | CHASSIS-CENTER | B19 | 擊鐵箱軸 | CHASSIS PIN | U2 | 氣閥組件 | VALVE UNIT |
| Z27 | 槍管左蓋 | BARREL-L CASE | B21 | 握柄保險軸套右 | GRIP SAFETY SLEEVE-R | U3 | 擊鐵組件 | HAMMER UNIT |
| Z28 | 槍管右蓋 | BARREL-R CASE | KCB75-B21 | 槍管右蓋軸 | OUTER BARREL AXLE (R) | U4 | 氣瓶頂針組件 | PUNCTURE VAVLE UNIT |

KCB-77 系列 零件分解圖 KCB-77 SERIES EXPLORED VIEW



※零件有時為了改良而不經預告變更。
Spare parts may be modified for quality improvement And such modification may be without advance notice.